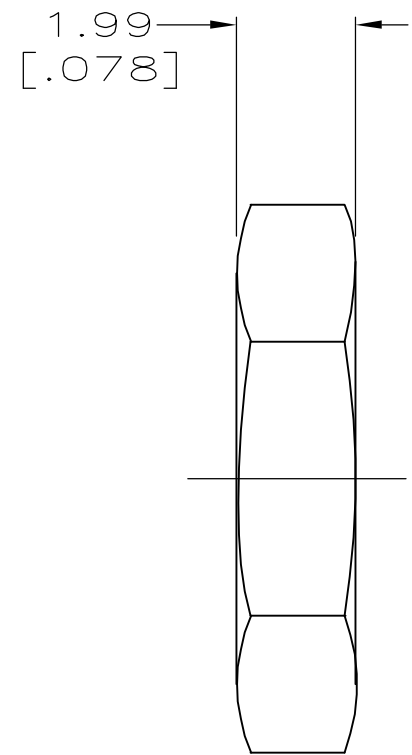
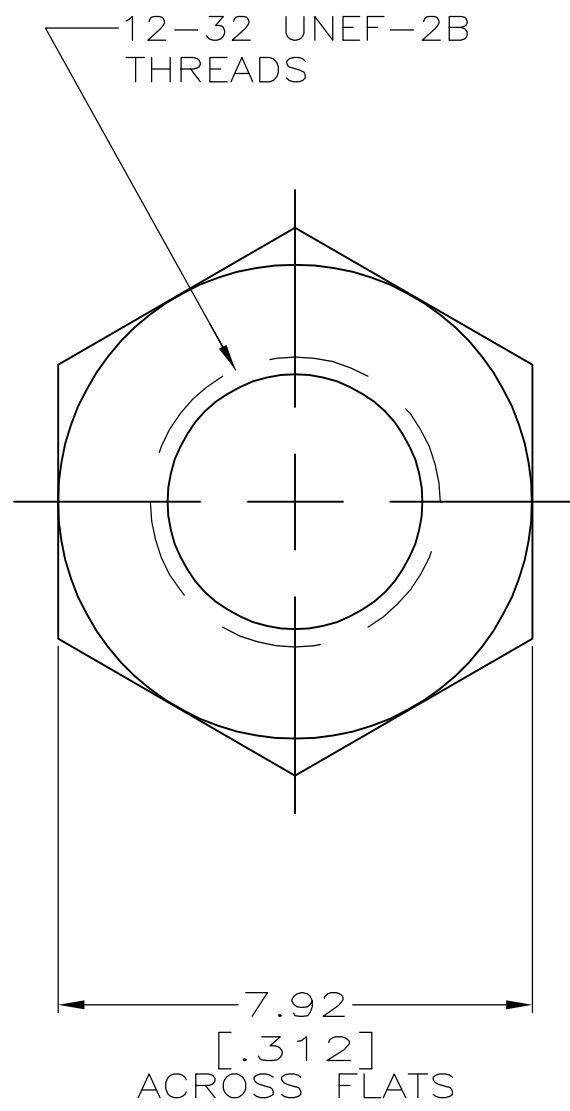


THIS DRAWING IS UNPUBLISHED. RELEASED FOR PUBLICATION  
 © COPYRIGHT BY TYCO ELECTRONICS CORPORATION. ALL RIGHTS RESERVED.

|     |      |           |     |                       |         |     |      |
|-----|------|-----------|-----|-----------------------|---------|-----|------|
| LOC | DIST | REVISIONS |     |                       |         |     |      |
| AJ  | 16   | P         | LTR | DESCRIPTION           | DATE    | DWN | APVD |
|     |      | D         |     | REV PER ECO-06-003170 | 10MAR06 | PY  | WM   |

- ① BRASS PER QQ-B-626.
- ② STAINLESS STEEL PER ASTM-A-582.
- ③ SILVER PLATE PER QQ-S-365.
- ④ GOLD PLATE PER MIL-G-45204.
- ⑤ PASIVATION PER QQ-P-35.
- ⑥ SPECIAL PACKAGING; PACKAGED 250 PIECES PER BAG.



|   |        |          |             |
|---|--------|----------|-------------|
| ⑥ | ③      | ①        | 5-328690-0  |
|   | ④      | ②        | 1-328690-5  |
|   | ⑤      | ②        | 1-328690-3  |
|   | ④      | ②        | 1-328690-2  |
|   | ③      | ①        | 329680      |
|   | FINISH | MATERIAL | PART NUMBER |

|  |                  |                  |            |                                       |   |
|--|------------------|------------------|------------|---------------------------------------|---|
| THIS DRAWING IS A CONTROLLED DOCUMENT. |                  | DWN              | B. MOYER   | 26MAR97                               | <br>Tyco Electronics Corporation<br>Harrisburg, Pa 17105-3608 |
| DIMENSIONS: mm                         |                  | CHK              | J. CABARLO | 26MAR97                               |   |
|  |                  | APVD             | J. CABARLO | 26MAR97                               |   |
| TOLERANCES UNLESS OTHERWISE SPECIFIED: |                  | PRODUCT SPEC     |            | NAME                                  |   |
| 0 PLC ± -                              | 1 PLC ± -        | APPLICATION SPEC |            | JAM NUT, MINIATURE<br>THREADED SERIES |   |
| 2 PLC ± 0.38 [.015]                    | 3 PLC ± -        | WEIGHT           |            | SIZE                                  |   |
| 4 PLC ± -                              | 4 PLC ANGLES ± - | CUSTOMER DRAWING |            | CAGE CODE                             |   |
| MATERIAL                               | FINISH           | SCALE            |            | DRAWING NO                            |   |
| ①-②                                    | ③④⑤              | 8:1              |            | G-328690                              |   |
|  |                  | SHEET            |            | RESTRICTED TO                         |   |
|  |                  | 1 OF 1           |            | -                                     |   |
|  |                  | REV              |            | D                                     |   |